

**Hillmar
Korea**

SLIPRING INSULATOR
SR-INS-10KV-PC

Sheet Number:

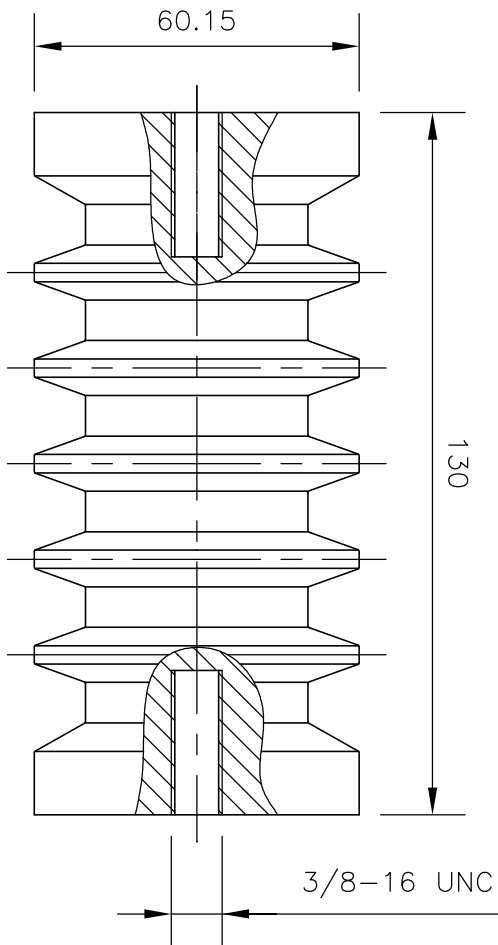
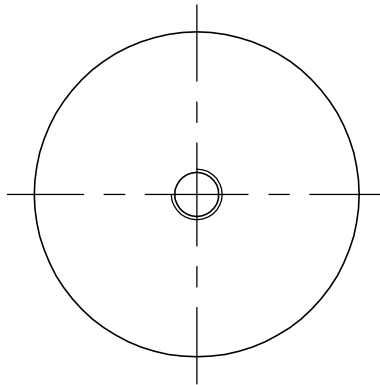
1 OF 1

Job Number:

Form Number:

164-076-42303

Rev:



TOLERANCES UNLESS OTHERWISE SPECIFIED:
 FRACTIONAL DIMENSIONS ±1/16"
 DECIMAL DIMENSIONS 0.0 ±0.020"
 0.00 ±0.010
 0.000 ±0.002
 BREAK SHARP EDGES .020
 M/C SURFACES

MATERIAL

PL 1

DRAWN

SCALE

N.T.S