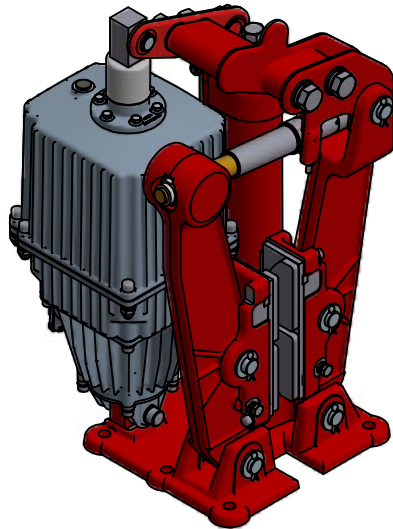


Inventor Drawing

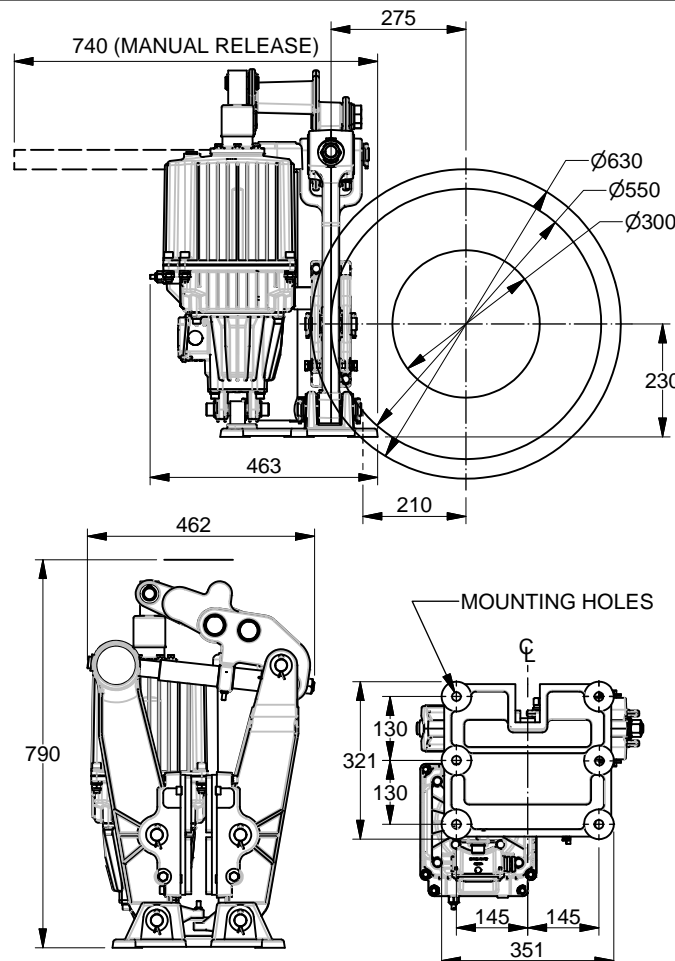


FEATURE	CODE
Thruster disc brake	TDB
Disc brake size	MD23
Disc OD (mm)	630
Disc thickness (mm)	30
Thruster size	121
Thruster stroke (mm)	060
Braking capacity (Nm)	05060

**Example for ordering**    **TDB-MD23-630-30-121-060-05060**

**TECHNICAL DATA**

Max. braking torque, $\mu=0.4$ static (Nm)	5060
Max. braking torque, $\mu=0.35$ dynamic (Nm)	4430
Maximum coupling hub diameter (mm)	300
Disc OD (mm)	630
Disc thickness (mm)	30
Max. contact force $F_c$ (N)	23000
Temperature range ( $^{\circ}\text{C}$ )	-20 to +70
Mounting holes	6 x $\text{Ø}18$
Mounting bolts	6 x M16
Pad area (each pad) ( $\text{cm}^2$ )	135
Maximum allowable pad wear (mm)	8
Weight of brake (no thruster) (kg)	87
Weight of brake (with thruster) (kg)	125
Standard painting color CARMINE RED	RAL #3002



**NOMINAL SPECIFICATION**

All brakes come standard with self centring mechanism, manual release mechanism, automatic adjuster, proximity switch to indicate break release.

Brakes are built to same handing as shown

**NOTES**

All figures are nominal figures only  
All dimensions are in millimeters

Document Template #710-101-62058

**\*\* ALL TECHNICAL DATA IS SUBJECT TO CHANGE WITHOUT NOTICE \*\***  
Hillmar works have a fully registered ISO 9001-2008 quality assurance programme (QCB #01-1525)

C:\Vault\_Workspace\HILLMAR\HILLMAR\_PRODUCTION\04\_THRUSTER DB\0700-407004001 TDB-MD\SPC-SHT-TDB-MD\429-155-63781PT-TDB-MD23-630-30-121-060-05060.idw