

Hillmar

Hillmar Industries Ltd.

POWER CABLE REELS Motor / MC Coupling / TRB Brake TECHNICAL DATA SHEET

Company / Project Reference:

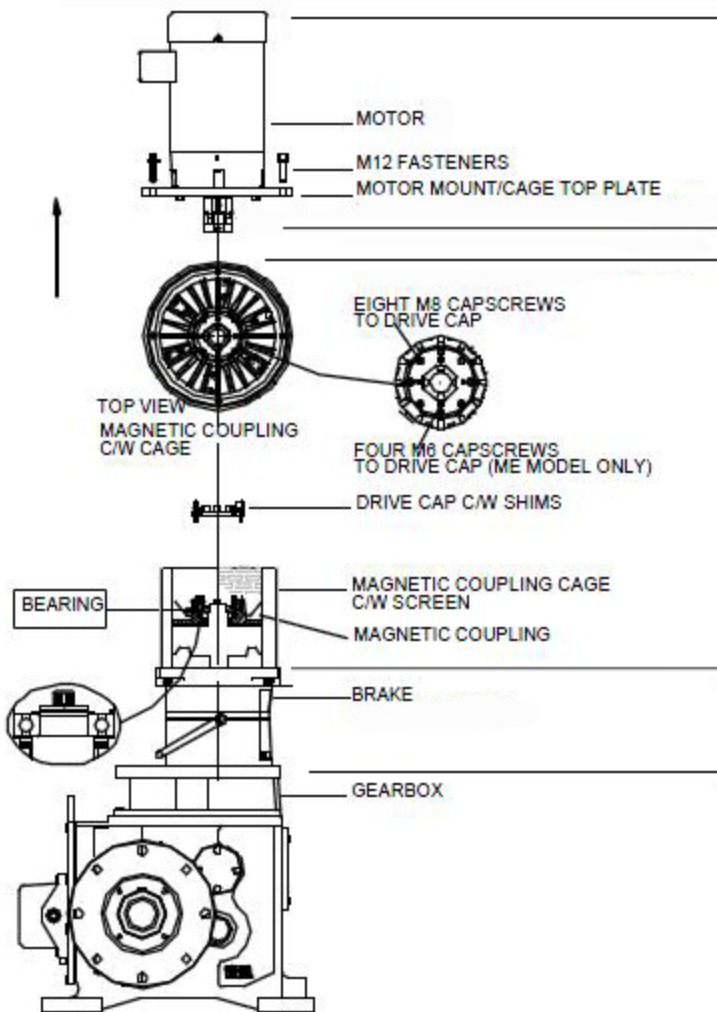
Date: DD MM YY
22 09 05

Sheet Number:

Job Number:
X25-205-01683J1

Form Number:
656-024-35782

Rev:



**EMN-075-213-TC-NF-200-460-3-60
MOTOR (with Jaw Coupling & Insert)
164-076-62805**

**ME-25- Magnet Coupling
(with Adaptor plate)
627-821-51093**

**TRB-200-078-30 Brake
629-823-34739**

Full Set Model

EMN-075-213-TC-NF-200-460-360 / ME-25 / TRB-200-078-30

Rev.	Apr. By	R E V I S I O N S	Date	Rev.	Apr. By	R E V I S I O N S	Date

Storm Brakes • Thruster Disc Brakes • Thrusters • Industrial Disc Brakes • Hydraulic Power Units • Cable Reels

7371 Vantage Way
Delta, B.C., Canada V4G 1C9

Tel: +1-604-946-7115
Fax: +1-604-946-0329

info@hillmar.com
www.hillmar.com