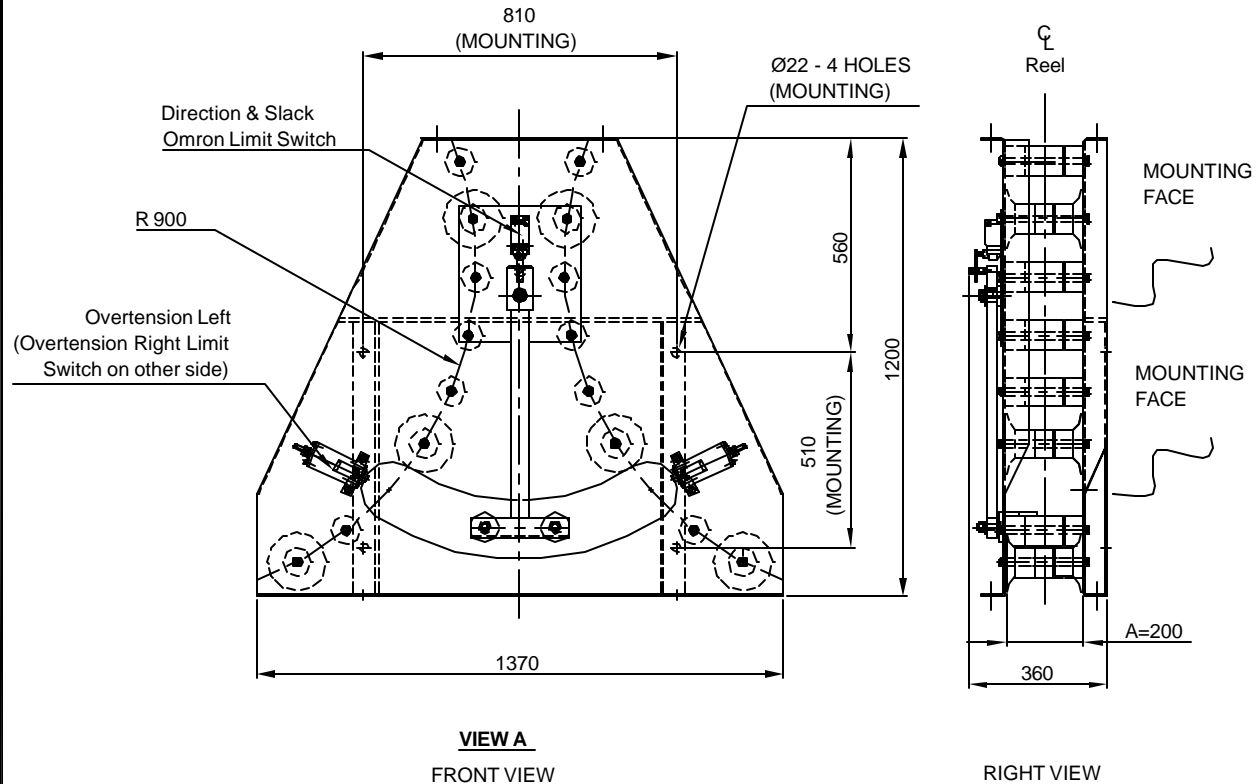


### CAD Drawing



QTY & CODE	Sets	Series	Bend Radius	Width (A)	Direction Control Option	Overtension Option
	-	<b>DL</b>	<b>900</b>	<b>200</b>	<b>DC</b>	<b>OT</b>

#### DETAIL(S):

Optimized bend radius for long cable life.  
 Direction and tension sensor switches available.  
 Adjustable overtensions.  
 Flat faced delrin rollers to minimize contact with cable.  
 Delrin flanges used to improve cable centering.

Body of the Diverter is stainless steel constructed.  
 Stainless steel shafts used in rollers.  
 All stainless steel fasteners used.

ALL TECHNICAL DATA IS SUBJECT TO CHANGE WITHOUT NOTICE  
 Hillmar works have a fully registered ISO 9001:2000 quality assurance programme (QCS #01-1929).