

Hillmar

Hillmar Industries Ltd.

7371 Vantage Way
Delta, B.C., Canada V4G 1C9
P:604 946-7115 F:604 946-0329
info@hillmar.com www.hillmar.com

SEAL KIT CTHV-50-75-ALL RAIL CLAMP CYLINDER

Sheet Number:

Job Number:
25339

Form Number:
221-196-10567

Rev:

Company/Project Reference:

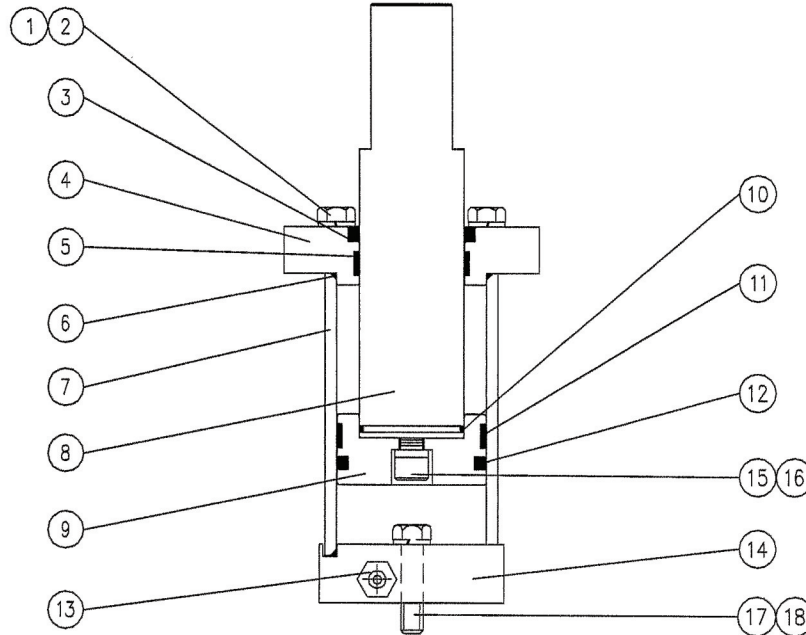
Date:
21 DEC 09

Page:
1 of 1

Document Package No.:

Rev:

CAD Drawing



ITEM	DESCRIPTION	QUANTITY
1	Capscrew - HH	4
2	Lock washer	4
3	Wiper	1
4	Cylinder top	1
5	Wear ring	1
6	O - ring	2
7	Cylinder body	1
8	Piston rod	1
9	Piston	1
10	O - ring	1
11	Seal	1
12	Wear ring	1
13	Adaptor	1
14	Cylinder bottom	1
15	Capscrew - SH	1
16	Lock washer - HC	1
17	Capscrew - HH	2
18	Lock washer	2

Document Template #710-101-62053

** ALL TECHNICAL DATA IS SUBJECT TO CHANGE WITHOUT NOTICE **
Hillmar works have a fully registered ISO 9001-2008 quality assurance programme (QCB #01-1525).

Storm Brakes • Thruster Disc Brakes • Thruster • Industrial Disc Brakes • Hydraulic Power Units • Cable Reels