

# Hillmar

Hillmar Industries Ltd.

## CABLE REELS FLAT POWER & FLAT POWER F/O OPERATION AND MAINTENANCE MANUAL

Company / Project Reference:

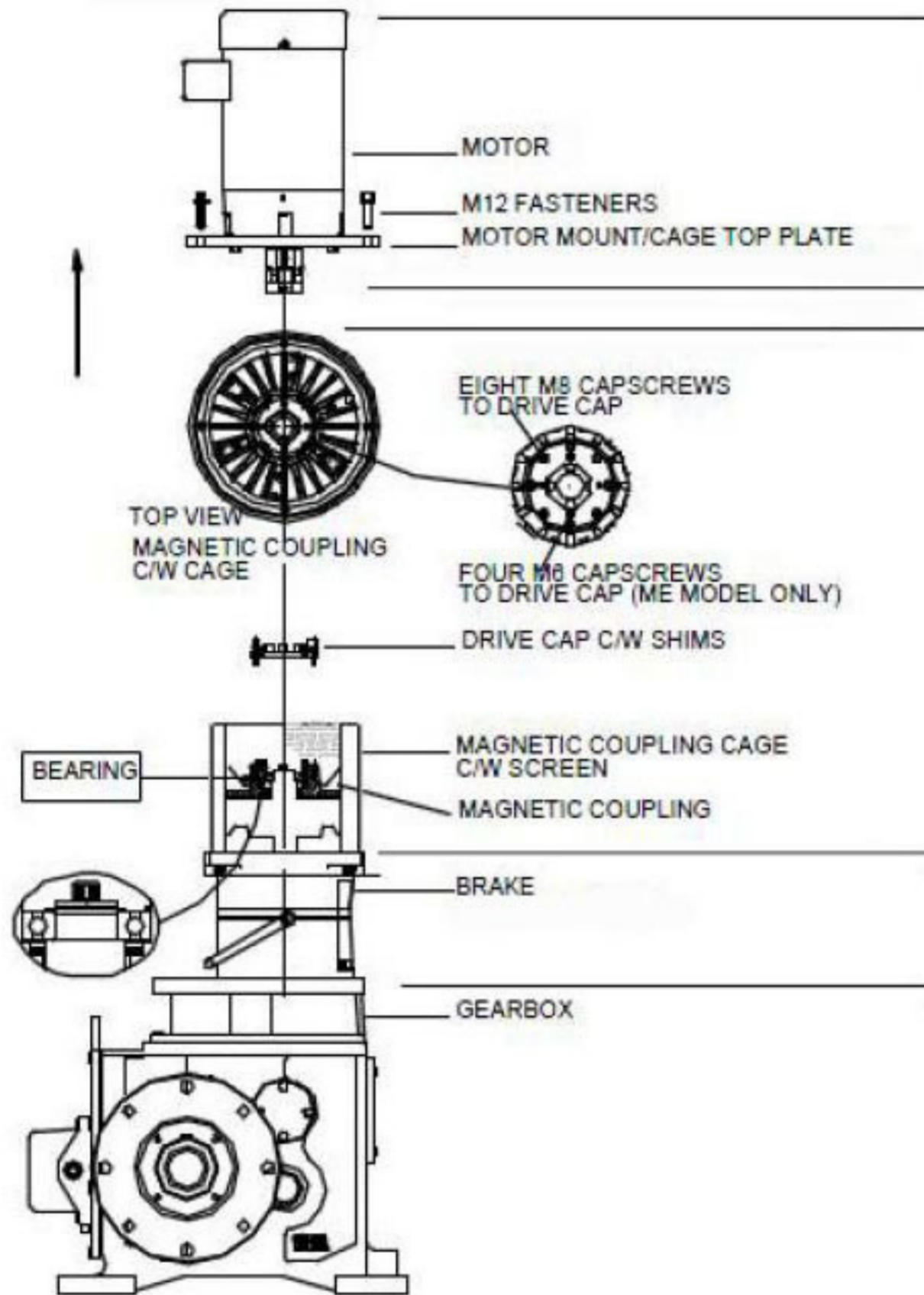
Date: DD MM YY  
26 09 03

Sheet Number:

Job Number:  
X25-203-01350JB

Form Number:  
658-082-37490

Rev:



EMN-075-213-TC-NF-440-3-60  
MOTOR (with Jaw Coupling & Insert)  
164-076-56528

ME-25- Magnet Coupling  
(with Adaptor plate)  
627-821-51093

EM-BMG-8-37.0-78 Brake  
629-853-38576

### Full Set Model

EMN-075-213-TC-NF-440-3-60 / ME-25 / EM-BMG-8-37.0-78

Rev.	Apr. By	REVISIONS	Date	Rev.	Apr. By	REVISIONS	Date

Storm Brakes • Thruster Disc Brakes • Thrusters • Industrial Disc Brakes • Hydraulic Power Units • Cable Reels

7371 Vantage Way  
Delta, B.C., Canada V4G 1C9

Tel: +1-604-946-7115  
Fax: +1-604-946-0329

info@hillmar.com  
www.hillmar.com