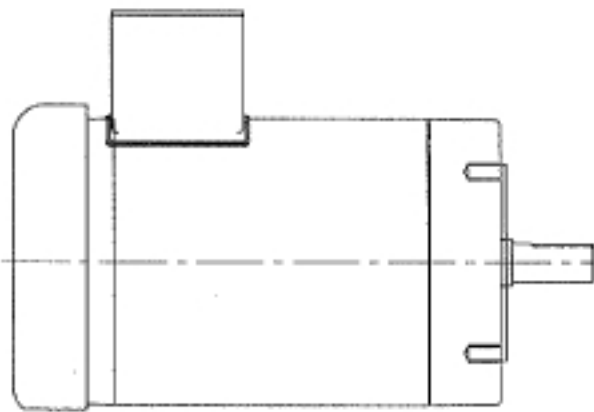
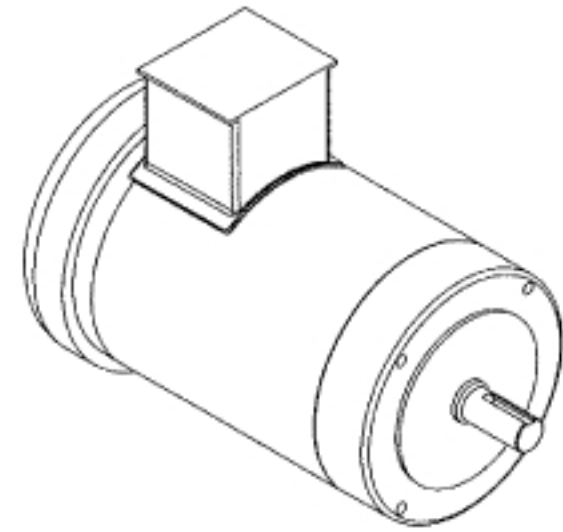


ELECTRIC MOTOR - NEM



Motor Length 502 mm
 Motor Width 243 mm
 Motor Height 229 mm

Key Length 60 mm
 Key Dia. 34.9 mm
 Key size 8 mm

MOTOR SIZE	
005 (0.5 HP)	
010 (1.0 HP)	
015 (1.5 HP)	
020 (2.0 HP)	
030 (3.0 HP)	
050 (5.0 HP/3.7kW)	<input checked="" type="checkbox"/>
075 (7.5 HP/5.5kW)	
100 (10 HP/7.5kW)	
150 (15 HP/11.0kW)	
200 (20 HP/15.0kW)	

NEMA FRAME	
56	
143	
145	
143-145	
184	
213	<input checked="" type="checkbox"/>
215	
254	
256	

C FACE	
C	
TC	<input checked="" type="checkbox"/>

MOUNTING FEET	
WF	
NF	<input checked="" type="checkbox"/>

VOLTAGE (V)	
200	
220	
230	
240	
380	
400	
415	
440	
480	
480	
575	
600	
220 - 460	<input checked="" type="checkbox"/>
OTHER SPECIFY	

PHASE	
3	<input checked="" type="checkbox"/>

FREQUENCY (Hz)	
60	<input checked="" type="checkbox"/>
50	
50 / 60	

IP	
55	<input checked="" type="checkbox"/>
56	
65	

JUNCTION BOX	
0 (JB90°, SIDE)	<input checked="" type="checkbox"/>
90 (JB90°, TOP)	

STRIP HEATER	
10 (≤3HP)	
15 (>3HP)	
NONE	<input checked="" type="checkbox"/>

STRIP HEATER	
B (BOUGHT OUT, IP55/65)	
H (HILLMAR ASM, IP 55)	
NONE	<input checked="" type="checkbox"/>

WINDING THERMISTOR	
1 (WT-120V)	
2 (WT-220V)	
NONE	<input checked="" type="checkbox"/>

NAME PLATE DATA	
MOTOR SIZE	7.5HP
VOLTS	208-230 / 460
FULL LOAD AMPS	20.6 / 10.3
R.P.M.	1760
FRAME	213TC
HZ	60
PHASE	3
SERVICE FACTOR	1.15
KVA CODE	K
DESIGN CODE	IP55
S.F. Amps	
NOM. EFF.	88.5%
POWER FACTOR	73%
RATING-RUTY	40C AMB-CONT
CC	
USABLE AT 208V	15A
BEARINGS DE	6307
BEARINGS ODE	6206
ENCL	
CERTIFIED	UL CSA CE

PRODUCT SPECIFICATION = EMN - 075 - 213 - TC - NF - 220-460 - 3 - 60 - IP55 - 0 - STRIP HEATER - STRIP HEATER - THERMISTOR - B - MOTOR

LINE 2: MOTOR SIZE, NEMA FRAME, C FACE, MOUNTING FEET, VOLTAGE (V), PHASE, FREQUENCY

LINE 3: IP, JUNCTION BOX, STRIP HEATER, STRIP HEATER, THERMISTOR, MANUFACTURER

OPERATION VOLTAGE: / / /

<table border="1"> <tr><td>Rev.</td><td>Yl</td></tr> <tr><td>09 NOV 09</td><td></td></tr> </table>		Rev.	Yl	09 NOV 09		Updated Titleblock REVISIONS		Tolerances Unless Otherwise Specified ISO 2768 - m Tolerance Spec. Sheet No.: 540-401-56438		Historical Spec. Sheet No.: Historical Description: Historical Creation:		Process 1 No.: Process 1: Process 2 No.: Process 2: Process 3 No.: Process 3:		Job Number: Company / Project Reference: Weight: kg Drawn by: YL Date: 09 NOV 09 Approved by: Date:		Hillmar Hillmar Industries Ltd. Part ID: 164-076-62805PT Page: Rev: A	
Rev.	Yl																
09 NOV 09																	
ELECTRICAL COMPONENTS EMN-075-213-TC-NF-220-460-3-60 IP55-0---B-MOTOR BO PART																	